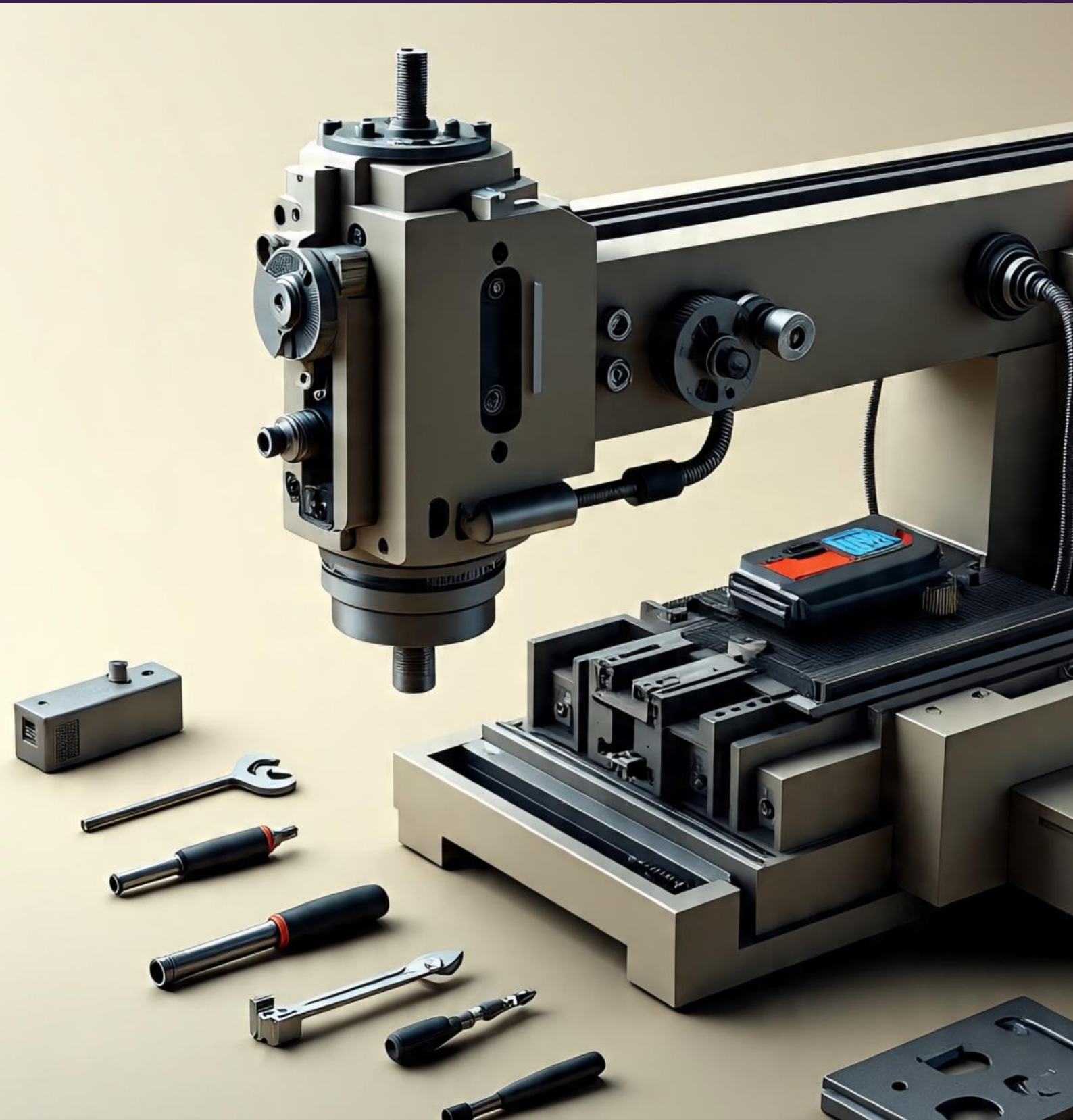


*Department of Mechanical Engineering*

**Volume 11**  
**Issue 1**  
**Dec 2022**



# Gnan Enthira Times

NEWSLETTER

VOLUME 10, ISSUE 1

DEC 2022

Department of Mechanical Engineering

## Editorial Board

### Faculty Coordinator

Mr.R.Sri Sabarinathan, AP/Mech

Mr.A.Eswaran, AP/Mech

### Student Coordinator

Ms. Suruthi V

Mr. Sudharsan C

Mr. Sagar Kumar



**Gnanamani**  
College of Technology  
— Gateway to Great Life! —

DEPARTMENT OF MECHANICAL ENGINEERING IN ASSOCIATION WITH ISTE ORGANIZING

Seminar on  
**“SELF CHARGING HYBRID TECHNOLOGY”**

**Mr.S.Jaganathan,**  
Assistant General Manager,  
Anaamalais Toyota  
Salem.

Students  
27.09.2022  
11 AM to 12.30 PM  
GIMS Seminar Hall

598293888    Info@gct.org.in    www.gct.org.in



**Gnanamani**  
College of Technology  
— Gateway to Great Life! —

DEPARTMENT OF MECHANICAL ENGINEERING IN ASSOCIATION WITH ISTE ORGANIZING

Seminar on  
**“CAREER OPPORTUNITIES IN GOVERNMENT SECTORS”**

**Mr.M.Radhakrishnan,**  
Director,  
Radhakrishnan IAS Academy,  
Madurai.

All Mechanical Engineering Students  
21.10.2022  
11 AM to 12.30 PM  
Ramanujan Hall

+91 7598293888    Info@gct.org.in    www.gct.org.in

# Gnanamani College of Technology

Gnanamani College of Technology is a leading Institution with state-of-the-art facility. The college is affiliated to Anna University and approved by AICTE. The Institution is rendering noble service to the youths in rural and urban areas. The college is accredited by the NAAC “A” Grade and NBA (CSE, ECE, EEE and Mech). The college has grown in a short span of 16 years with 12 UG courses namely Agricultural, Artificial Intelligence and Data Science, Bio-Medical, Biotechnology, Chemical, Civil, Computer Science, Electrical and Electronics, Electronics and Communication, Food Technology, Mechanical and Pharmaceutical Technology. The Institute also offers 10 PG courses in Biomedical Engineering, Computer Science Engineering, Construction Engineering and Management, Environmental Engineering, Embedded System Technologies, Industrial Engineering, Power Electronics and Drives, VLSI Design, MBA and MCA.



## Department of Mechanical Engineering

The Mechanical Engineering Department was started in the year 2009 and accredited by NBA in 2019. It offers B.E. with 120 student intake, M.E. – I.E., and Ph.D.in Full time and Part time modes. The department has 12 Curriculum Laboratories and 3 Industry supported labs providing 8 Value added courses and a Centre of Excellence - CNC Machines Laboratory. Anna University recognized Research & Development Centre with 3 Ph.D., Supervisors and 7 Doctorates is fully functioning in the department since 2015. The faculty of the department have published more than 185+ reputed journal publications, 3 Patents and have received a project grant of 15 Lakh.

## Institute Vision

Emerging as a technical institution of high standard and excellence to produce quality Engineers, Researchers, Administrators and Entrepreneurs with ethical and moral values to contribute the sustainable development of the society.

## Institute Mission

We facilitate our students

- \* To have in-depth domain knowledge with analytical and practical skills in cutting edge technologies by imparting quality technical education.
- \* To be industry ready and multi-skilled personalities to transfer technology to industries and rural areas by creating interests among students in Research and Development and Entrepreneurship.

## Department Vision

To produce competent Mechanical Engineer capable of working in an interdisciplinary environment contributing to benefits of society through innovation, leadership and entrepreneurship.

## Department Mission

- ⇒ Imparting the highest quality education through state-of-the-art facilities to build students' professional practice and make them globally competitive Mechanical Engineers by enhancing their knowledge.
- ⇒ Fostering professional and ethical values and training the students to build leadership and entrepreneurship qualities for their career development.
- ⇒ Undertaking research and developmental activities to provide service for the sustainable development of the society.

## Programme Organized

Our Department of Mechanical Engineering has organized a Seminar on entitled "Carrier Opportunities in Safety Engineering " on 15.09.2022 from 11.00 am to 12.30 pm at GIMS Seminar Hall. Our chief guest, Mr Manoj R, Manager, Vocational Training & Government Project, TUV Rheinland India Private Limited (Academy Division), handled the session and enriched the students' knowledge.

**Gnyanamani**  
Educational Institutions  
*Gateway to Great Life!*

DEPARTMENT OF MECHANICAL ENGINEERING  
Seminar on  
**CAREER OPPORTUNITIES  
IN SAFETY ENGINEERING**

**R.Manoj,**  
Manager,  
Vocational Training & Government Project,  
TUV Rheinland India Private Limited  
(Academy Division)

+91 7598293888    info@gct.org.in    www.gct.org.in

All Mechanical Engineering Students  
15.09.2022  
11 AM to 12.30 PM  
GIMS Seminar Hall

Our Department of Mechanical Engineering in association with ISTE has organized a Webinar on entitled "Self-Charging Hybrid Technology" on 27.09.2022 from 11.00 am to 12.30 pm at GIMS Seminar Hall. Our chief guest, Mr.S.Jaganathan, Assistant General Manager, Anaamalais Toyota, Salem, handled the session and enriched the students' knowledge.

**Gnyanamani**  
College of Technology  
*Gateway to Great Life!*

DEPARTMENT OF MECHANICAL ENGINEERING IN ASSOCIATION WITH ISTE ORGANIZING  
Seminar on  
**"SELF CHARGING  
HYBRID TECHNOLOGY"**

**Mr.S.Jaganathan,**  
Assistant General Manager,  
Anaamalais Toyota  
Salem.

Students  
27.09.2022  
11 AM to 12.30 PM  
GIMS Seminar Hall

+91 7598293888    Info@gct.org.in    www.gct.org.in

## Programme Organized

Our Department of Mechanical Engineering in association with ISTE has organized a Seminar on entitled "Plastic Moulding & Press Tools" on 17.10.2022 from 11.00 am to 12.30 pm at Ramanujan Hall. Our chief guest, Mr. M.Sureshkumar, Technical Lead, Core Innovation Technology, Salem.

**Gnanamani**  
College of Technology  
*Gateway to Great Life!*

**DEPARTMENT OF MECHANICAL ENGINEERING**  
Inaugural of Mechanical Department  
Association & Seminar on

**“PLASTIC MOULDING  
& PRESS TOOLS”**

**Mr.M.Sureshkumar**  
Technical Lead,  
Cals Innovation Technology,  
Salem.

All Mechanical Engineering Students  
11.00 am to 12.30 pm  
17.10.2022  
Ramanujan Hall

+91 7598293888    Info@gct.org.in    www.gct.org.in

Our Department of Mechanical Engineering in association with ISTE has organized a Webinar on entitled "Opportunities in Government Sectors" on 27.09.2022 from 11.00 am to 12.30 pm at Ramanujan Hall. Our chief guest, Mr.M.Radhakrishnan, Director, Radhakrishnan IAS Academy, Madurai, handled the session and enriched the students' knowledge.

**Gnanamani**  
College of Technology  
*Gateway to Great Life!*

**DEPARTMENT OF MECHANICAL ENGINEERING**  
IN ASSOCIATION WITH ISTE ORGANIZING  
Seminar on

**“CAREER  
OPPORTUNITIES  
IN GOVERNMENT  
SECTORS”**

**Mr.M.Radhakrishnan,**  
Director,  
Radhakrishnan IAS Academy,  
Madurai.

All Mechanical Engineering Students  
21.10.2022  
11 AM to 12.30 PM  
Ramanujan Hall

+91 7598293888    Info@gct.org.in    www.gct.org.in

## Student Activities - Symposium Paper Presentation

Student Name	Year/Sec	Paper Topic	Organizing Institution
Nivash N	III	Manufacturing	Kongunadu college of Engineering and Technology
Venkadeswaran B	III	Manufacturing	Kongunadu college of Engineering and Technology
Ajithkumar S	IV	NDT	Ganesh college of Engineering
Nithin joy	IV	NDT	Ganesh college of Engineering
Ranjithkumar P	IV	Fabrication	Ganesh college of Engineering
Gandhiselvan P	IV	Fabrication	Ganesh college of Engineering
Boobesh S	II	Manufacturing	Selvam College of Technology
Sanjay P	II	Manufacturing	Selvam College of Technology
Nithin joy	IV	Thermal	AVS Engineering College
Ajitkumar S	IV	Thermal	AVS Engineering College
Arunraj K	IV	Manufacturing	AVS Engineering College
Vijay T	IV	Manufacturing	AVS Engineering College
Manikandan D	IV	Manufacturing	AVS Engineering College
Suruthi S	IV	Manufacturing	AVS Engineering College
Dinesh L	III	Manufacturing	AVS Engineering College
Bharath M	III	Manufacturing	AVS Engineering College
Vasanthkumar S	III	Manufacturing	AVS Engineering College

## Student Activities - Workshop / Seminar

Student name	Year	Title of the Seminar / Workshop Attended	Organizing Institution
Gandhiselvan P	IV	RC Plane Fabrication Workshop	KPR Institute of Engineering and Technology
Abishek	IV	RC Plane Fabrication Workshop	KPR Institute of Engineering and Technology
Chowthri	IV	RC Plane Fabrication Workshop	KPR Institute of Engineering and Technology
Vignesh	IV	RC Plane Fabrication Workshop	KPR Institute of Engineering and Technology
Ranjithkumar	IV	RC Plane Fabrication Workshop	KPR Institute of Engineering and Technology
Nandhakumar	IV	RC Plane Fabrication Workshop	KPR Institute of Engineering and Technology
Deepan	IV	RC Plane Fabrication Workshop	KPR Institute of Engineering and Technology
Gunasekaran	IV	RC Plane Fabrication Workshop	KPR Institute of Engineering and Technology
Arunraj	IV	RC Plane Fabrication Workshop	KPR Institute of Engineering and Technology
Vijay T	IV	RC Plane Fabrication Workshop	KPR Institute of Engineering and Technology
Dinesh L	III	Electric and Hybrid Vehicle Workshop	TOP Engineers,IIT Madras Research Park
Sudharsan S	II	Electric and Hybrid Vehicle Workshop	TOP Engineers,IIT Madras Research Park
Sagarkumar	II	Electric and Hybrid Vehicle Workshop	TOP Engineers,IIT Madras Research Park
Ajay M	II	Electric and Hybrid Vehicle Workshop	TOP Engineers,IIT Madras Research Park
Akash A	II	Electric and Hybrid Vehicle Workshop	TOP Engineers,IIT Madras Research Park
Hasan Mohammed M	II	Electric and Hybrid Vehicle Workshop	TOP Engineers,IIT Madras Research Park
Abuthahir M R	III	Electric and Hybrid Vehicle Workshop	TOP Engineers,IIT Madras Research Park
Boobesh S	II	Electric and Hybrid Vehicle Workshop	TOP Engineers,IIT Madras Research Park

## Student Activities - Other Events

Student name	Year	Title of the Events (CAD Modeling, Water Rocket, Glider etc)	Organizing Institution & Venue
Tharunkumar J B	III	Lathe War	Ganesh College of Engineering
Gowtham L	III	Lathe War	Ganesh College of Engineering
Santhosh Jeeva S	III	Lathe War	Ganesh College of Engineering
Dinesh M	III	Engine Assembly	Ganesh College of Engineering
Aravinth P	II	Engine Assembly	Ganesh College of Engineering
Bharath M	II	Engine Assembly	Ganesh College of Engineering
Rajeshkannan V	III	Engine Assembly	Ganesh College of Engineering
Dinesh L	III	Lathe War	Ganesh College of Engineering
Uthayasurya T	II	Engine Assembly	Ganesh College of Engineering
Deepak R	III	Chess	Ganesh College of Engineering
Balaji R	II	Short Film	Selvam College of Technology
Hasan Mohammed	II	Short Film	Selvam College of Technology
Dinesh L	III	CAD Modeling	Selvam College of Technology
Abuthahir M R	III	CAD Modeling	Selvam College of Technology
Mohammed Rizwan M A	II	Engine Assembly	AVS Engineering College
Mohammed Rizwan M A	II	Mr.Mechanical	AVS Engineering College
Dinesh L	III	Mr.Mechanical	AVS Engineering College
Abuthahir M R	III	Technical Quiz	AVS Engineering College
Tharunkumar J B	III	Mr.Mechanical	AVS Engineering College
Tharunkumar J B	III	CAD Modeling	AVS Engineering College
Venkadeswaran B	III	Mr.Mechanical	AVS Engineering College
Suganeshwaran K	III	Technical Quiz	AVS Engineering College
Lalithkumar S	III	Technical Quiz	AVS Engineering College
Vijay T	IV	Technical Quiz	AVS Engineering College
Manikandan D	IV	Connection	AVS Engineering College
Lalithkumar s	III	CAD Modeling	AVS Engineering College
Suganeshwaran K	III	CAD Modeling	AVS Engineering College
Naveenkumar R	II	Engine Assembly	AVS Engineering College
Venkadeswaran B	III	CAD Modeling	AVS Engineering College
Vasanthkumar S	III	Technical Quiz	AVS Engineering College
Suruthi V	IV	Connection	AVS Engineering College
Abuthahir M R	III	CAD Modeling	AVS Engineering College
Vignesh V	IV	Short film	Ganesh College of Engineering
Jayasurya P	IV	Short film	Ganesh College of Engineering

## Student Activities - Implant Training

Student Name	Year	Title of the Implant Training	Company Name
Gandhiselvan P	IV	Mechanical Maintenance	Steel Authority of India Limited
Ranjithkumar P	IV	Mechanical Maintenance	Steel Authority of India Limited
Shankar S	IV	Servicing	TVS Mobility
Arunraj K	IV	Servicing	TVS Mobility
Vijay T	IV	Servicing	TVS Mobility
Moorthi G	IV	Sales and service in two wheeler Management	Hero

## Student Activities - Project Presentation

Student name	Year	Title of the Project	Title of the Programme	Organizing Institution & Venue
Ajithkumar S	IV	3 Way Multi-Purpose Mechanical Machine	Project Expo 2K22	Gnanamani College of Technology
Ranjithkumar P	IV	3 Way Multi-Purpose Mechanical Machine	Project Expo 2K22	Gnanamani College of Technology
Vignesh V	IV	3 Way Multi-Purpose Mechanical Machine	Project Expo 2K22	Gnanamani College of Technology

## Student Activities - Other Activities

Student name	Title of the Activity
Arunraj K	Blood Donation
Gandhiselvan P	Blood Donation
Sagar Kumar	Blood Donation
Thangavel S	Blood Donation
Aakash A	Blood Donation
Sanjay P	Blood Donation

## Department of Mechanical Engineering



### Organization

Business Tagline or Motto

WE'RE ON THE WEB!

EXAMPLE.COM

This would be a good place to insert a short paragraph about your organization. It might include the purpose of the organization, its mission, founding date, and a brief history. You could also include a brief list of the types of products, services, or programs your organization offers, the geographic area covered (for example, western U.S. or European markets), and a profile of the types of customers or members served.

It would also be useful to include a contact name for readers who want more information about the organization.

## Back Page Story Headline

This story can fit 175-225 words.

If your newsletter is folded and mailed, this story will appear on the back. So, it's a good idea to make it

easy to read at a glance.

A question and answer session is a good way to quickly capture the attention of readers. You can either compile questions that

you've received since the last edition or you can summarize some generic questions that are frequently asked about your organization.

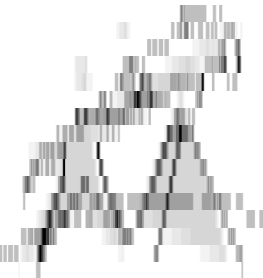
A listing of names and titles of managers in your organization is a good way to give your newsletter a personal touch. If your organization is small, you may want to list the names of all employees.

If you have any prices of standard products or services, you can include a listing of those here. You may want to refer your readers to any other forms of communication that you've created for your organization.

You can also use this space to remind readers to mark their calendars for a

regular event, such as a breakfast meeting for vendors every third Tuesday of the month, or a biannual charity auction.

If space is available, this is a good place to insert a clip art image or some other graphic.



**Caption describing picture or graphic.**



# Gnan Enthira Times

NEWSLETTER

VOLUME 10, ISSUE 2

JUNE 2023

Department of Mechanical Engineering

## Editorial Board

### Faculty Coordinator

Mr.R.Sri Sabarinathan, AP/Mech

Mr.A.Eswaran, AP/Mech

### Student Coordinator

Ms. Suruthi V

Mr. Sudharsan C

Mr. Sagar Kumar

**Gnanamani**  
College of Technology  
*Gateway to Great Life!*

INSTITUTIONS  
INNOVATION  
COUNCIL  
(Ministry of HRD India)

DEPARTMENT OF MECHANICAL ENGINEERING  
IN ASSOCIATION WITH IIC ORGANIZING  
Webinar on  
**"HOW TO FILE A PATENT"**

Scan Here

All Mechanical Engineering Students  
15-02-2023  
11.00am to 12.30pm  
+91 99442 06462

Join us

Dr.Lenin V R.,  
Associate professor  
Anil Neerukonda Institute  
of Technology and Sciences,  
Vizag, Chennai.

598293888 info@gct.org.in www.gct.org.in



**Gnanamani**  
College of Technology  
*Gateway to Great Life!*

THE INSTITUTION OF ENGINEERING AND TECHNOLOGISTS  
INDIAN COUNCIL OF TECHNICAL EDUCATION  
INDUSTRY INSTITUTE INTERACTION CELL

DEPARTMENT OF MECHANICAL ENGINEERING IN ASSOCIATION WITH IEI AND IIT CELL ORGANIZING  
Workshop on  
**"NDT AND CAREER OPPORTUNITIES IN INDUSTRIES"**

All Mechanical Engineering Students  
12.04.2023  
10.30 AM to 12 PM  
Ramanujam Hall

Er. Rajesh Subramanian,  
Plant Inspector,  
Qatar Gas, Qatar.

+91 7598293888 info@gct.org.in www.gct.org.in

# Gnanamani College of Technology

Gnanamani College of Technology is a leading Institution with state-of-the-art facility. The college is affiliated to Anna University and approved by AICTE. The Institution is rendering noble service to the youths in rural and urban areas. The college is accredited by the NAAC “A” Grade and NBA (CSE, ECE, EEE and Mech). The college has grown in a short span of 16 years with 12 UG courses namely Agricultural, Artificial Intelligence and Data Science, Bio-Medical, Biotechnology, Chemical, Civil, Computer Science, Electrical and Electronics, Electronics and Communication, Food Technology, Mechanical and Pharmaceutical Technology. The Institute also offers 10 PG courses in Biomedical Engineering, Computer Science Engineering, Construction Engineering and Management, Environmental Engineering, Embedded System Technologies, Industrial Engineering, Power Electronics and Drives, VLSI Design, MBA and MCA.



## Department of Mechanical Engineering

The Mechanical Engineering Department was started in the year 2009 and accredited by NBA in 2019. It offers B.E. with 120 student intake, M.E. – I.E., and Ph.D.in Full time and Part time modes. The department has 12 Curriculum Laboratories and 3 Industry supported labs providing 8 Value added courses and a Centre of Excellence - CNC Machines Laboratory. Anna University recognized Research & Development Centre with 3 Ph.D., Supervisors and 7 Doctorates is fully functioning in the department since 2015. The faculty of the department have published more than 185+ reputed journal publications, 3 Patents and have received a project grant of 15 Lakh.

## Institute Vision

Emerging as a technical institution of high standard and excellence to produce quality Engineers, Researchers, Administrators and Entrepreneurs with ethical and moral values to contribute the sustainable development of the society.

## Institute Mission

We facilitate our students

- \* To have in-depth domain knowledge with analytical and practical skills in cutting edge technologies by imparting quality technical education.
- \* To be industry ready and multi-skilled personalities to transfer technology to industries and rural areas by creating interests among students in Research and Development and Entrepreneurship.

## Department Vision

To produce competent Mechanical Engineer capable of working in an interdisciplinary environment contributing to benefits of society through innovation, leadership and entrepreneurship.

## Department Mission

- ⇒ Imparting the highest quality education through state-of-the-art facilities to build students' professional practice and make them globally competitive Mechanical Engineers by enhancing their knowledge.
- ⇒ Fostering professional and ethical values and training the students to build leadership and entrepreneurship qualities for their career development.
- ⇒ Undertaking research and developmental activities to provide service for the sustainable development of the society.

## Programme Organized

**Gnanamani**  
College of Technology  
*Gateway to Great Life!*

**INSTITUTIONS' INNOVATION COUNCIL**  
Member of IIC

DEPARTMENT OF MECHANICAL ENGINEERING IN ASSOCIATION WITH IIC AND ISTE ORGANIZING

Workshop on

**"DESIGN THINKING, CRITICAL THINKING AND INNOVATION DESIGN"**

Boopathyraja.R  
Resourcing and Operations Management-Executive, Wipro technologies, Coimbatore.

All Mechanical Engineering Students  
11.02.2023  
11 AM  
GIMS Seminar Hall

**DESIGN**

+91 7598293888 info@gct.org.in www.gct.org.in

Our Department of Mechanical Engineering in association with IIC has organized a Workshop on entitled "Design Thinking, critical Thinking and Innovation Design" on 11.02.2023 from 11.00 am to 12.30 pm at GIMS Seminar Hall. Our chief guest, Mr.R.Boopathyraja, Resourcing and Operations Management-Executive, Wipro Technologies, Coimbatore, handled the session and enriched the students' knowledge.



Our Department of Mechanical Engineering in association with IIC has organized a Webinar on entitled "How to File a Patent" on 15.02.2023 from 11.00 am to 12.30 pm at GIMS Seminar Hall. Our chief guest, Dr.V.R.Lenin, Associate Professor, Anil Neerukonda Institute of Technology and Sciences, Vizag, Chennai, handled the session and enriched the students' knowledge.

**Gnanamani**  
College of Technology  
*Gateway to Great Life!*

**INSTITUTIONS' INNOVATION COUNCIL**  
Member of IIC

DEPARTMENT OF MECHANICAL ENGINEERING IN ASSOCIATION WITH IIC ORGANIZING

Webinar on

**"HOW TO FILE A PATENT"**

Scan Here  
QR Code

All Mechanical Engineering Students  
15-02-2023  
11.00am to 12.30pm  
+91 98442 06462

Dr.Lenin V.R.  
Associate professor  
Anil Neerukonda Institute of Technology and Sciences, Vizag, Chennai

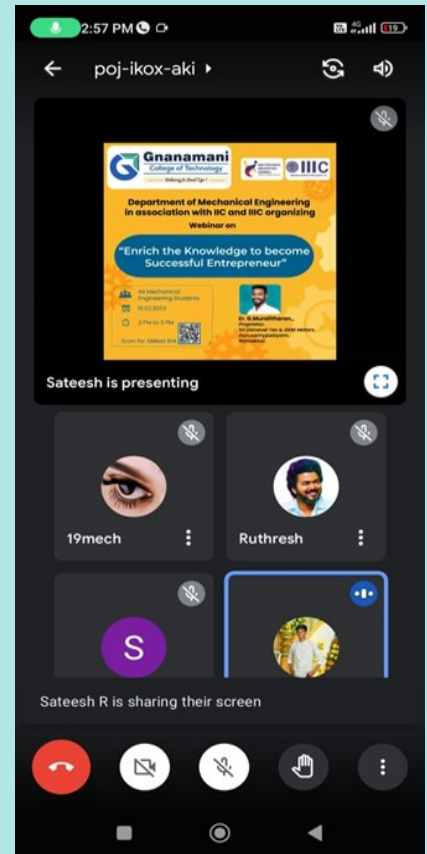
**Join us**

+91 7598293888 info@gct.org.in www.gct.org.in



# Programme Organized

Our Department of Mechanical Engineering in association with IIC and IIC has organized a Webinar on entitled "Knowledge to become Successful Entrepreneur" on 15.02.2023 from 2 pm to 3 pm on Google meet. Our chief guest, Er G.Muralitharan, Proprietor, Sri Ganavel Tex (Cloth Manufacturing Unit) & GKM Motors, Gurusampalayam, Namakkal, handled the session and enriched the students' knowledge.



Our Department of Mechanical Engineering in association with IIC has organized a Seminar entitled "Build Your Own Business" on 16.02.2023 from 11 am to 12 pm at GIMS Seminar Hall. Our chief guest, Rtn.R.Deepak, Secretary of Rotary Club of Rasipuram Education City, Athanoor Amman Oil Mill's, Rasipuram, Namakkal, handled the session and enriched the students' knowledge.



## Programme Organized

Our Department of Mechanical Engineering in association with ISTE has organized a two day Workshop entitled "MEP-Heating Ventilation and Air Conditioning" on 17.02.2023 from 11 am to 12 pm at Ramanujan Hall. Our chief guest, Mr.V.Muthu Prakash, MEP-Training Executive, Innovation Engineering Solutions, Chennai, handled the session and enriched the students' knowledge.



Our Department of Mechanical Engineering in association with IIC has organized a Seminar entitled "Build Your Own Business" on 16.02.2023 from 11 am to 12 pm at GIMS Seminar Hall. Our chief guest, Rtn.R.Deepak, Secretary of Rotary Club of Rasipuram Education City, Athanoor Amman Oil Mill's, Rasipuram, Namakkal, handled the session and enriched the students' knowledge.



## Programme Organized

Our Department of Mechanical Engineering in association with ISTE and IIIC has organized a Workshop entitled "NDT and Career Opportunities in Industries" on 12.04.2023 from 10.30 am to 12 pm at Ramanujan Hall. Our chief guest, Er.Rajesh Subramanian, Plant Inspector, Qatar Gas, Qatar, handled the session and enriched the students' knowledge.



**Gnyanamani**  
College of Technology  
*Gateway to Great Life!*

ISTE  
INSTITUTION'S INNOVATION COUNCIL

DEPARTMENT OF MECHANICAL ENGINEERING IN ASSOCIATION WITH IEI AND IIC CELL ORGANIZING Workshop on

**"NDT AND CAREER OPPORTUNITIES IN INDUSTRIES"**

All Mechanical Engineering Students  
12.04.2023  
10.30 AM to 12 PM  
Ramanujam Hall

Er. Rajesh Subramanian,  
Plant Inspector,  
Qatar Gas, Qatar

+91 7598293888 | info@gct.org.in | www.gct.org.in

Our Department of Mechanical Engineering in association with ISTE and IIC has organized a Workshop entitled "Innovation in Industrial Automation" on 13.04.2023 from 10.00 am to 12 pm at Ramanujan Hall. Our chief guest, Mr.S.Aravindh, Senior Project Engineer, Ingenious Power and Control Systems Pvt Ltd, IPCS Automation, Salem, handled the session and enriched the students' knowledge.

**Gnyanamani**  
College of Technology  
*Gateway to Great Life!*

ISTE  
INSTITUTION'S INNOVATION COUNCIL

DEPARTMENT OF MECHANICAL ENGINEERING IN ASSOCIATION WITH IIC AND IEI ORGANIZING Workshop on

**"INNOVATION IN INDUSTRIAL AUTOMATION"**

Mr. Aravindh S.,  
Senior Project Engineer,  
Ingenious Power and Control Systems Pvt. Ltd.,  
IPCS Automation, Salem.

All Mechanical Engineering Students  
13.04.2023  
10.00 AM to 12PM  
Ramanujam Hall

+91 7598293888 | info@gct.org.in | www.gct.org.in



## Programme Organized

Our Department of Mechanical Engineering in association with IQAC has organized a FDP entitled "How to Write a Research Paper and Get it Published" on 23.06.2023 from 10.30 am to 1 pm at Ramanujan Hall. Our chief guest, Mr. Balaji Ramachandran, CEO, Noob Tron Pvt Ltd, Tamilnadu, India, handled the session and enriched the faculty knowledge.



Ananthkrishnarayasamudram, Tamil Nadu, India  
Gnanamani college of Technology, C595+M78,  
Ananthkrishnarayasamudram, Tamil Nadu 637018, India  
Lat 11.419124°  
Long 78.158185°

Under the Swachh Bharat Mission, the "Clean India" program was organized by the Department of Mechanical Engineering in collaboration with the NSS and YRC units. The event was attended by coordinators and volunteers participating in the NSS Program. As part of this initiative, tree planting activities were conducted.



## Pongal celebration

The Mechanical Engineering Department of Gnanamani College of Technology celebrated the Pongal festival 2023 on the college campus on 13<sup>th</sup> January 2023. Our faculty members and students paid respect to the Sun with Sweet Pongal and Sugarcane. Dr.P.Premkumar, Chief administrative officer. Dr.T.K.Kannan, Principal, Dr.B.Sanjaygandhi, Academic Director, Vice Principals, Professors, and HoDs graced the occasion.



## Student Activities - Symposium Paper Presentation

Student Name	Year	Date	Title of Symposium	Organizing Institution & Venue
Pravinkumar C	II	23.03.2023 & 24.03.2023	Mekchat 23.0	Govt College of Engineering, Salem
Bharath M	II			
Aijthkumar S	IV			
Nithin Joy				
Suruthi V				
Aakash A	II	27.04.2023	Smart Association	KSR Institute For Engineering, Namakkal
Golu Kumar				
Sagar Kumar				
Hasan Muhammed M				

## Student Activities - Workshop / Seminar Attended

Student Name	Year	Title of the Seminar / Workshop Attended	Date	Organizing Institution & Venue
Mohammed Rizwan M A	II	Current Working Environment In MNC	31.03.2023	Excel Engineering College, Namakkal
Naveen kumar R				
Boobesh S				
Sanjay P				
Vignesh V	IV	Ford Eco-Sport Taking Education Further	31.03.2023	Selvam College of Technology, Namakkal

## Student Activities - Other Events

Student name	Year/ Sec	Title of the Events (CAD Modeling, Water Rocket, Glider etc)	Date	Organizing Institution & Venue
Bharath M	II	Mr.Lathe	23.03.2023 & 24.03.2023	Govt College of Engineering, Salem
Dharanishwaran K	IV	CAD		
Dhinesh M	III	Tech Quiz		
Jayasurya P	III	Tech Quiz		
Vignesh V	IV	Tech Quiz		
Aijthkumar S	IV	Mr.Lathe		
Nithin Joy	IV	Mr.Lathe		
Suruthi V	IV	CAD Modeling		
Sagar kumar	II	CAD Modeling	23.03.2023 & 24.03.2023	KSR Institute For Engineering
Dinesh M	III	Assembly & Disassembly	31.03.2023	Selvam College of Technology, Namakkal
Ranjithkumar P	IV	Assembly & Disassembly		
Ruthresh N A	II	Smart Photography	27.04.2023	KSR Institute For Engineering & Technology, Namakkal
Balaji R	II	Smart Photography	27.04.2023	

## Student Activities - Implant Training

Student Name	Duration (Days)	Title of the Implant Training	Address with Contact Number
Prasanth R	10	Motor Cycle Repair And Service	R.M.S.Enterprises, Namakkal 04286276203, 275190
Vijay T	10	Motor Cycle Repair And Service	R.M.S.Enterprises, Namakkal 04286276203, 275190

## Student Activities - Internships

Student name	Year/ Sec	Title of the Events (CAD Modeling, Water Rocket, Glider etc)	Date	Organizing Institution & Venue
Bharath M	II	Mr.Lathe	23.03.2023 & 24.03.2023	Govt College of Engineering, Salem
Dharanishwaran K	IV	CAD		
Dhinesh M	III	Tech Quiz		
Jayasurya P	III	Tech Quiz		
Vignesh V	IV	Tech Quiz		
Aijthkumar S	IV	Mr.Lathe		
Nithin Joy	IV	Mr.Lathe		
Suruthi V	IV	CAD Modeling		
Sagar kumar	II	CAD Modeling	23.03.2023 & 24.03.2023	KSR Institute For Engineering
Dinesh M	III	Assembly & Disassembly	31.03.2023	Selvam College of Technology, Namakkal
Ranjithkumar P	IV	Assembly & Disassembly		
Ruthresh N A	II	Smart Photography	27.04.2023	KSR Institute For Engineering & Technology, Namakkal
Balaji R	II	Smart Photography	27.04.2023	

## Student Activities - Implant Training

Student Name	Duration (Days)	Title of the Implant Training	Address with Contact Number
Prasanth R	10	Motor Cycle Repair And Service	R.M.S.Enterprises, Namakkal 04286276203, 275190
Vijay T	10	Motor Cycle Repair And Service	R.M.S.Enterprises, Namakkal 04286276203, 275190

**Department of Mechanical Engineering**

Primary Business Address  
 Address Line 2  
 Address Line 3  
 Address Line 4  
 Phone: 555-555-5555  
 Fax: 555-555-5555  
 Email: someone@example.com

This would be a good place to insert a short paragraph about your organization. It might include the purpose of the organization, its mission, founding date, and a brief history. You could also include a brief list of the types of products, services, or programs your organization offers, the geographic area covered (for example, western U.S. or European markets), and a profile of the types of customers or members served.

It would also be useful to include a contact name for readers who want more information about the organization.

  
**Organization**

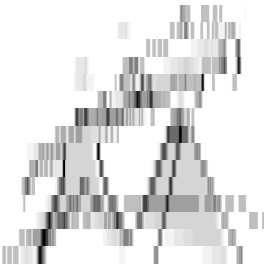
Business Tagline or Motto

**WE'RE ON THE WEB!**  
 EXAMPLE.COM

**Back Page Story Headline**

This story can fit 175-225 words.

If your newsletter is folded and mailed, this story will appear on the back. So, it's a good idea to make it



**Caption describing picture or graphic.**

easy to read at a glance.

A question and answer session is a good way to quickly capture the attention of readers. You can either compile questions that

you've received since the last edition or you can summarize some generic questions that are frequently asked about your organization.

A listing of names and titles of managers in your organization is a good way to give your newsletter a personal touch. If your organization is small, you may want to list the names of all employees.

If you have any prices of standard products or services, you can include a listing of those here. You may want to refer your readers to any other forms of communication that you've created for your organization.

You can also use this space to remind readers to mark their calendars for a

regular event, such as a breakfast meeting for vendors every third Tuesday of the month, or a biannual charity auction.

If space is available, this is a good place to insert a clip art image or some other graphic.